



SILVER SERIES

THE ONLY DOOR IN ITS CLASS WITH A
5-YEAR WARRANTY

EXCLUSIVELY BY

BRENLO



**THERE'S NO
REASON TO SETTLE
FOR ANYTHING LESS**

A complete line of solid wood
stile & rail interior doors, with the
uncompromising quality and value you
expect from the industry-leading supplier
of custom wood mouldings.

SILVER SERIES

BY BRENLO



2-PANEL



3-PANEL

Available* In:

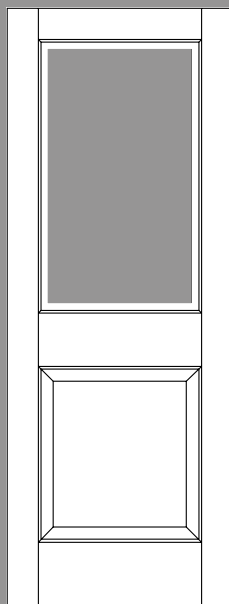
Thickness: 1-3/4" **Widths:** 16" - 36" (2" Increments) **Heights:** 80", 84", 90", 96"

*Some width/height combinations may be special order

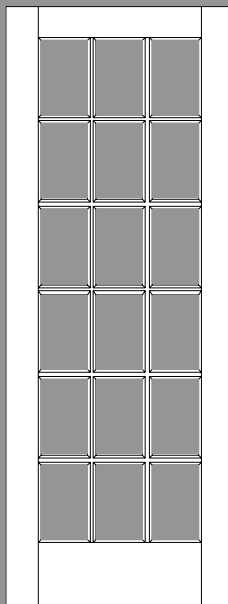
SPECIAL ORDER

Brenlo offers a wide range of special order interior doors which can be designed to complement our Silver Series line.

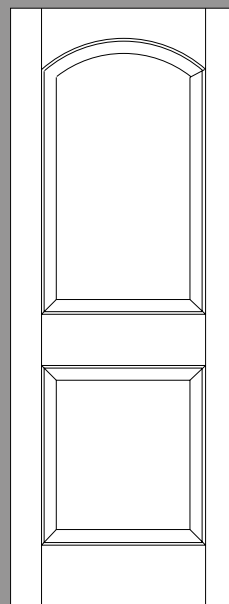
Pocket doors have 3/4" - 1" added height and width.



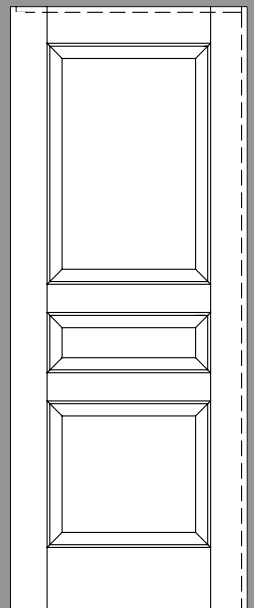
GLASS PANEL



FRENCH DOOR



ARCH TOP



POCKET DOOR

EXCEPTIONAL CUSTOM DOOR QUALITY

AVAILABLE IN STOCK FOR IMMEDIATE DELIVERY



UNCOMPROMISED VALUE, EXCLUSIVELY FROM BRENLO

The Silver Series line of interior doors, available exclusively from Brenlo, offers superior, solid wood, engineered stile & rail construction with a 5-year warranty. Standard 2-panel and 3-panel styles are readily available IN STOCK in all standard widths and heights, edge-beveled and sealed. Featuring an exclusive Brenlo profile, the Silver Series line is Brenlo's most popular door offering.

Each Silver Series door is ready-to-machine/install and is **individually shrink-wrapped** for protection and climate stability

A Brenlo Exclusive with an industry leading

5 YEAR
LIMITED WARRANTY



SILVER SERIES

- 1-3/4" thickness available in-stock in standard 2 and 3 panel designs
- 1-3/8" thickness available as special order
- Heights of 80", 84", 90" and 96"
- Widths from 16" through 36" in 2" increments*

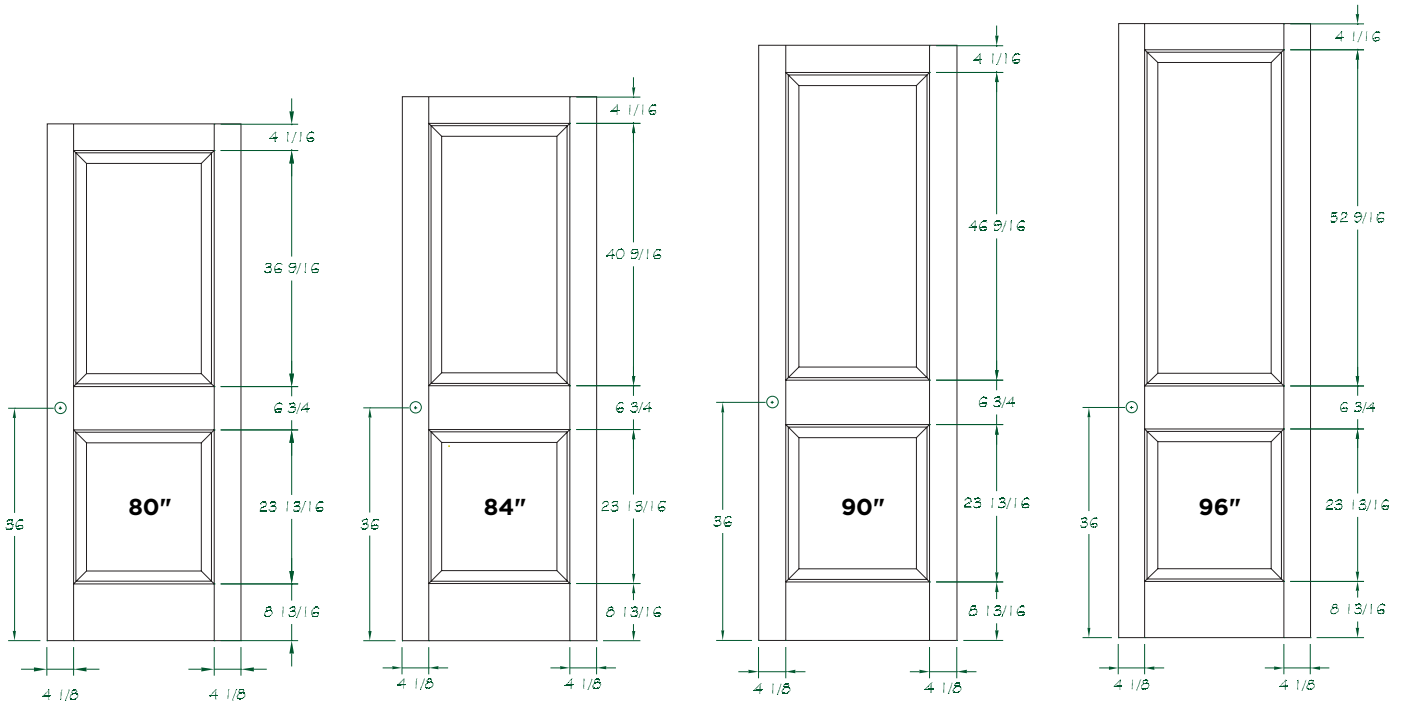
*Some width/height combinations may be special order

Brenlo provides onsite consultation, recommendations and estimating at no charge.

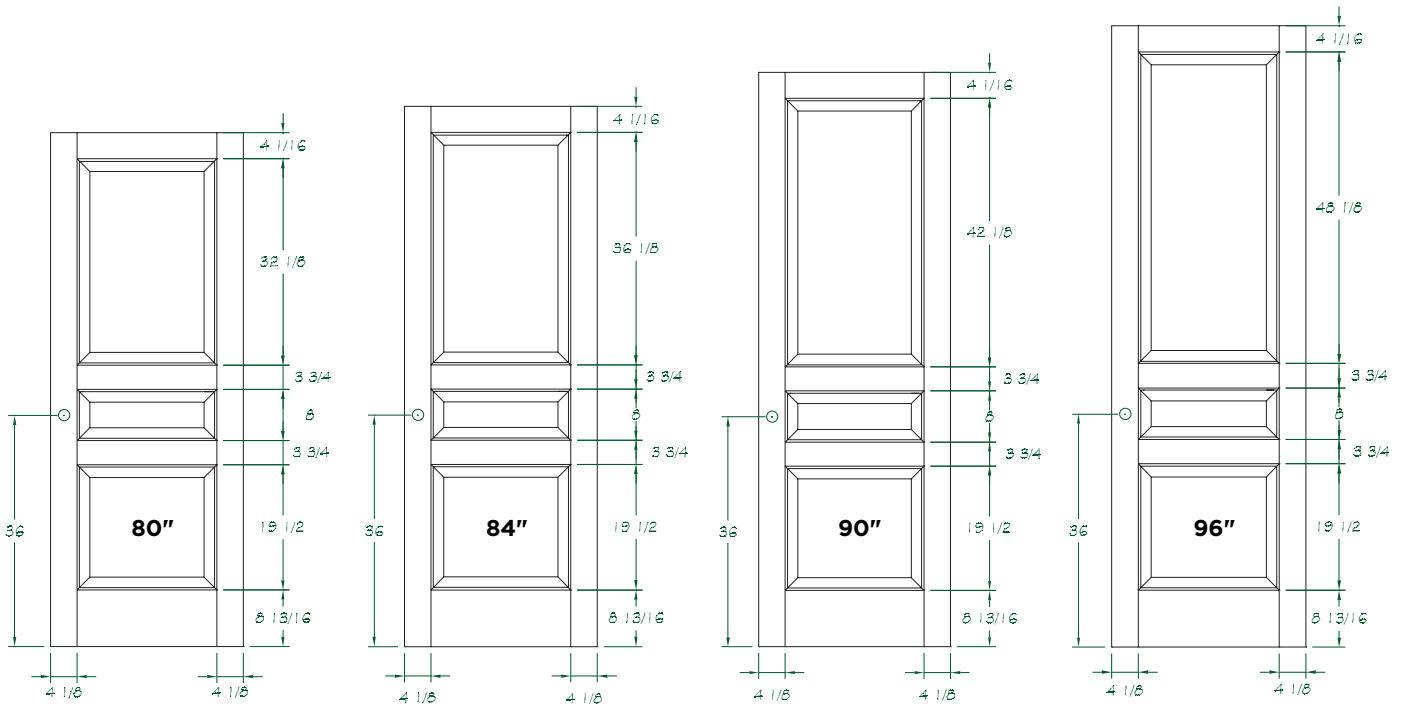
Contact the Brenlo Direct Order Line

at 416-749-6857 or your Account Manager or visit our showroom.

2-PANEL DIMENSIONS



3-PANEL DIMENSIONS



BRENLO

custom wood mouldings

www.brenlo.com



41 Racine Rd. Toronto, Ontario M9W 2Z4

T 416.749.6857 F 416.749.8969

T/F 877.816.6607

Showroom Hours:

Monday - Friday 7:30am to 4:30pm

In addition to our Silver Series line of interior doors, Brenlo carries a complete selection of other interior and exterior doors, including:

- Our premium Platinum Series doors
- Solid core, hollow core and moulded panel doors
- Custom wood entry doors
- Custom doors in any style, species, and size for residential and commercial applications

We also provide hardware and custom machining services for a complete turnkey solution.



The mark of responsible forestry

